



Supplier of Control Instrumentation to the South African Electrical Industry

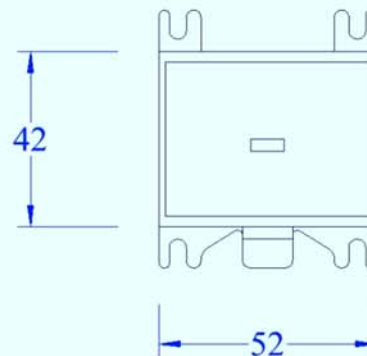
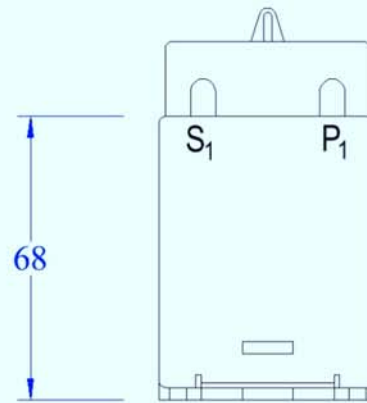
SNP

GENERAL

CT TYPE	PRIMARY WOUND
INPUT CURRENT	1A – 50A
OUTPUT CURRENT	1A or 5A
SYSTEM VOLTAGE	660V AC
FREQUENCY	50Hz
STANDARD	IEC/SANS 61869-2

CASING

MATERIAL	MOULDED ABS
TERMINAL COVER	YES
MOUNTING TYPE	CHASSIS / DINRAIL
INNER DIAMETER	N/A



ALTERNATIVE:

- SWP



Supplier of Control Instrumentation to the South African Electrical Industry

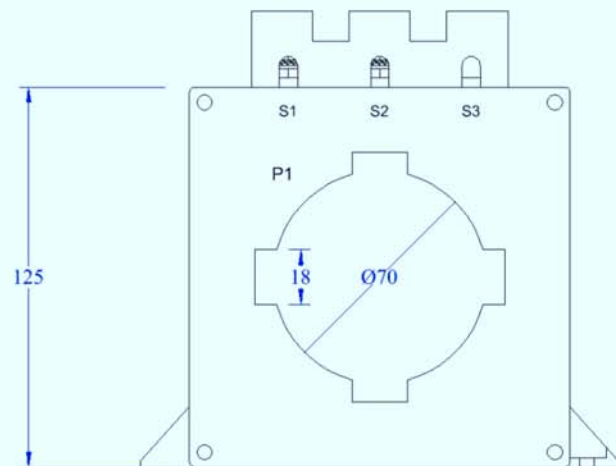
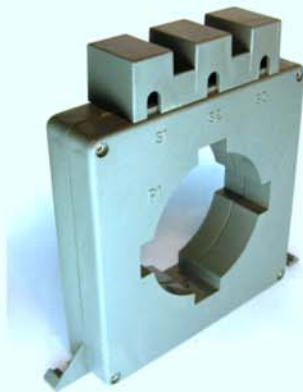
BR2

GENERAL

CT TYPE	RING TYPE
INPUT CURRENT	400A – 2500A
OUTPUT CURRENT	1A or 5A
SYSTEM VOLTAGE	660V AC
FREQUENCY	50Hz
STANDARD	IEC/SANS 61869-2

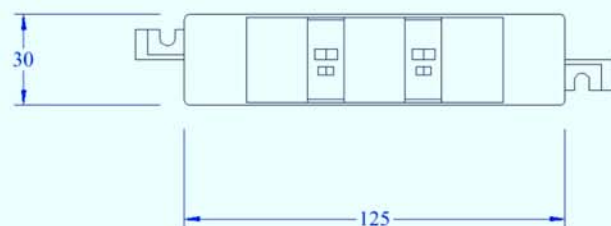
CASING

MATERIAL	MOULDED ABS
TERMINAL COVER	YES
MOUNTING TYPE	CHASSIS
INNER DIAMETER	70mm ID 80mm BUSBAR



ALTERNATIVES:

- BR2 86
- BR2 BUSBAR





Supplier of Control Instrumentation to the South African Electrical Industry

BR3

GENERAL

CT TYPE	RING TYPE
INPUT CURRENT	400A – 3000A
OUTPUT CURRENT	1A or 5A
SYSTEM VOLTAGE	660V AC
FREQUENCY	50Hz
STANDARD	IEC/SANS 61869-2

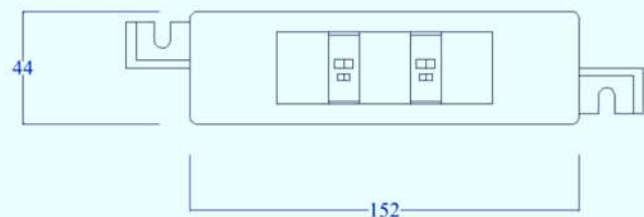
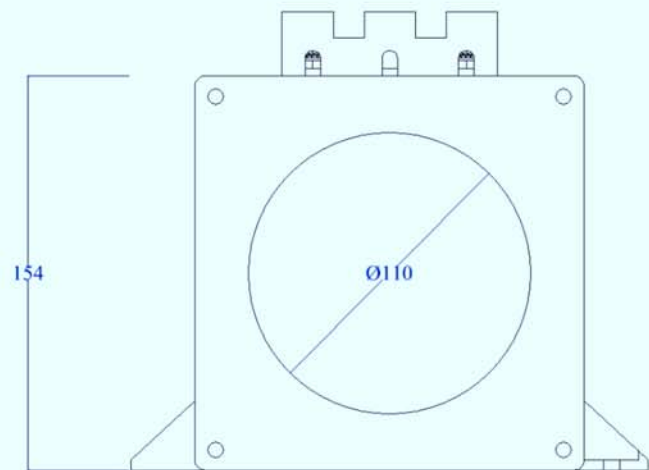
CASING

MATERIAL	MOULDED ABS
TERMINAL COVER	YES
MOUNTING TYPE	CHASSIS
INNER DIAMETER	110mm ID



ALTERNATIVES:

- BR3 110
- BR3 BUSBAR





Supplier of Control Instrumentation to the South African Electrical Industry

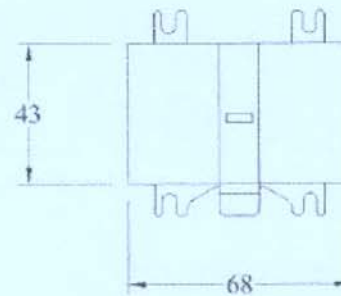
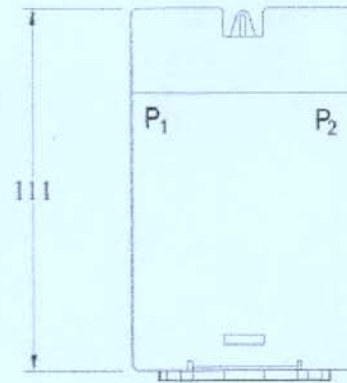
BNP

GENERAL

CT TYPE	PRIMARY WOUND
INPUT CURRENT	1A – 100A
OUTPUT CURRENT	1A or 5A
SYSTEM VOLTAGE	660V AC
FREQUENCY	50Hz
STANDARD	IEC/SANS 61869-2

CASING

MATERIAL	MOULDED ABS
TERMINAL COVER	YES
MOUNTING TYPE	CHASSIS / DINRAIL
INNER DIAMETER	N/A





Supplier of Control Instrumentation to the South African Electrical Industry

BNP RATIO PERFORMANCES

		BURDEN									
		BNP10					BNP15				
		INPUT	OUTPUT	2.5	5	10	5	7.5	10	15	
RATIO	1	5	1	1	1			0.5	0.5	1	1
	2	5	1	1	1			0.5	0.5	1	1
	2.5	5	1	1	1			0.5	0.5	1	1
	3	5	1	1	1			0.5	0.5	1	1
	5	5	1	1	1			0.5	0.5	1	1
	7.5	5	1	1	1			0.5	0.5	1	1
	10	5	1	1	1			0.5	0.5	1	1
	15	5	1	1	1			0.5	0.5	1	1
	20	5	1	1	1			0.5	0.5	1	1
	25	5	1	1	1			0.5	0.5	1	1
	30	5	1	1	1			0.5	0.5	1	1
	40	5	1	1	1			0.5	0.5	1	1
	50	5	1	1	1			0.5	0.5	1	1
	60	5	1	1	1			0.5	0.5	1	1
	75	5	1	1	1			0.5	0.5	1	1
	80	5	1	1	1			0.5	0.5	1	1
	100	5	1	1	1			0.5	0.5	1	1
	1	1	1	1	1			0.5	0.5	1	1
	2	1	1	1	1			0.5	0.5	1	1
	2.5	1	1	1	1			0.5	0.5	1	1
3	1	1	1	1			0.5	0.5	1	1	
5	1	1	1	1			0.5	0.5	1	1	
7.5	1	1	1	1			0.5	0.5	1	1	
10	1	1	1	1			0.5	0.5	1	1	
15	1	1	1	1			0.5	0.5	1	1	
20	1	1	1	1			0.5	0.5	1	1	
25	1	1	1	1			0.5	0.5	1	1	
30	1	1	1	1			0.5	0.5	1	1	
40	1	1	1	1			0.5	0.5	1	1	
50	1	1	1	1			0.5	0.5	1	1	
60	1	1	1	1			0.5	0.5	1	1	
75	1	1	1	1			0.5	0.5	1	1	
80	1	1	1	1			0.5	0.5	1	1	
100	1	1	1	1			0.5	0.5	1	1	



Supplier of Control Instrumentation to the South African Electrical Industry

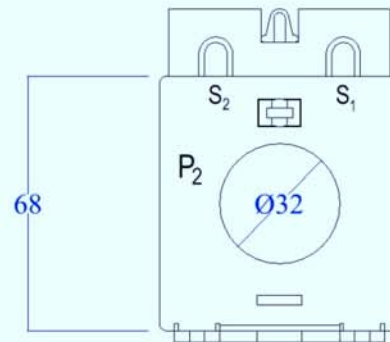
MN1

GENERAL

CT TYPE	RING TYPE
INPUT CURRENT	50A – 400A
OUTPUT CURRENT	1A or 5A
SYSTEM VOLTAGE	660V AC
FREQUENCY	50Hz
STANDARD	IEC/SANS 61869-2

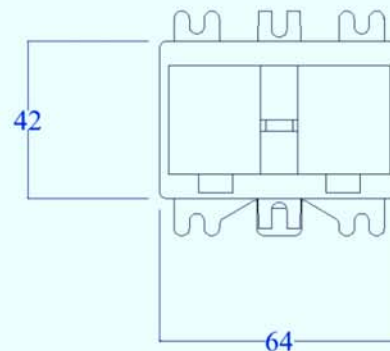
CASING

MATERIAL	MOULDED ABS
TERMINAL COVER	YES
MOUNTING TYPE	DINRAIL / CHASSIS
INNER DIAMETER	32mm



ALTERNATIVES

- MR1
- KRO





Supplier of Control Instrumentation to the South African Electrical Industry

MN1 RATIO PERFORMANCES

		BURDEN										
RATIO	INPUT	OUTPUT	1.25	2.5	3.75	5	7.5	10	15	20	25	30
		50	5	3								
	60	5	3									
	75	5	3									
	80	5	3	3								
	100	5	1	1	3							
	120	5	1	1	3							
	125	5	1	1	1	3						
	150	5	1	1	1	1	3					
	160	5	1	1	1	1	3					
	175	5	1	1	1	1	3					
	200	5	1	1	1	1	3					
	250	5	1	1	1	1	1	3				
	300	5	1	1	1	1	1	1	3			
	400	5	0.5	0.5	0.5	0.5	0.5	0.5	1			
	50	1	3									
	60	1	1	3								
	75	1	1	3								
	80	1	1	3								
	100	1	1	1	3							
	120	1	1	1	3							
	125	1	1	1	1	3						
	150	1	0.5	0.5	1	3						
	160	1	0.5	0.5	0.5	1	3					
	175	1	0.5	0.5	0.5	1	3					
	200	1	0.5	0.5	0.5	0.5	1	3				
	250	1	0.5	0.5	0.5	0.5	1	3				
	300	1	0.5	0.5	0.5	0.5	0.5	1	3			
	400	1	0.5	0.5	0.5	0.5	0.5	0.5	1			



Supplier of Control Instrumentation to the South African Electrical Industry

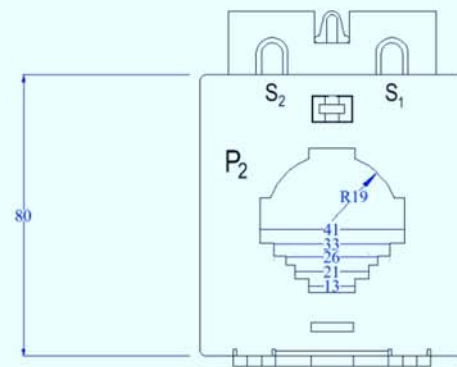
MN2

GENERAL

CT TYPE	RING TYPE
INPUT CURRENT	50A – 800A
OUTPUT CURRENT	1A or 5A
SYSTEM VOLTAGE	660V AC
FREQUENCY	50Hz
STANDARD	IEC/SANS 61869-2

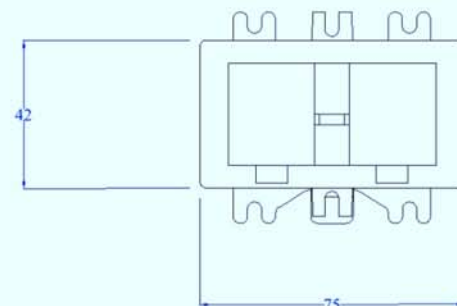
CASING

MATERIAL	MOULDED ABS
TERMINAL COVER	YES
MOUNTING TYPE	DINRAIL / CHASSIS
INNER DIAMETER	38mm ID 40mm BUSBAR



ALTERNATIVES

- MR2
- KR2





Supplier of Control Instrumentation to the South African Electrical Industry

MN2 RATIO PERFORMANCES

		BURDEN										
RATIO	INPUT	OUTPUT	1.25	2.5	3.75	5	7.5	10	15	20	25	30
		50	5	3	3							
	60	5	3	3								
	75	5	3	3	3							
	80	5	3	3	3							
	100	5	3	3	3	3						
	120	5	3	3	3	3	3					
	125	5	1	1	1	3	3					
	150	5	1	1	1	1	3					
	160	5	1	1	1	1	3					
	175	5	1	1	1	1	1	3				
	200	5	1	1	1	1	1	1	3			
	250	5	1	1	1	1	1	1	3			
	300	5	1	1	1	1	0.5	0.5	1	3		
	350	5	0.5	0.5	0.5	0.5	0.5	0.5	0.5	0.5	3	3
	400	5	0.5	0.5	0.5	0.5	0.5	0.5	0.5	0.5	1	3
	500	5	0.5	0.5	0.5	0.5	0.5	0.5	0.5	0.5	0.5	0.5
	600	5	0.5	0.5	0.5	0.5	0.5	0.5	0.5	0.5	0.5	1
	700	5	0.5	0.5	0.5	0.5	0.5	0.5	0.5	0.5	0.5	0.5
	800	5	0.5	0.5	0.5	0.5	0.5	1	3			
	50	1	3									
	60	1	3	3								
	75	1	1	3	3							
	80	1	1	3	3							
	100	1	1	1	3	3	3					
	120	1	1	1	1	3	3					
	150	1	0.5	0.5	1	3	3	3				
	160	1	0.5	0.5	0.5	1	3	3				
	175	1	0.5	0.5	0.5	1	3	3				
	200	1	0.5	0.5	0.5	1	1	3				
	250	1	0.5	0.5	0.5	0.5	0.5	1	3			
	300	1	0.5	0.5	0.5	0.5	0.5	1	1	3		
	350	1	0.5	0.5	0.5	0.5	0.5	0.5	1	1	3	
	400	1	0.5	0.5	0.5	0.5	0.5	0.5	0.5	1	1	3
	500	1	0.5	0.5	0.5	0.5	1	3				
	600	1	0.5	0.5	0.5	0.5	1	3				
	700	1	0.5	0.5	0.5	0.5	0.5	1				
	800	1	0.5	0.5	0.5	0.5	0.5	0.5	3			



Supplier of Control Instrumentation to the South African Electrical Industry

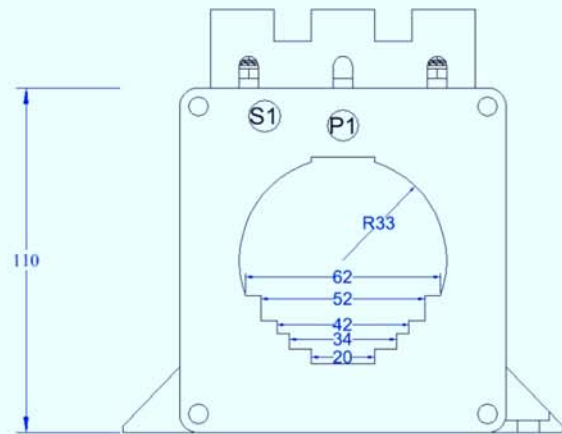
BR1

GENERAL

CT TYPE	RING TYPE
INPUT CURRENT	200A – 2000A
OUTPUT CURRENT	1A or 5A
SYSTEM VOLTAGE	660V AC
FREQUENCY	50Hz
STANDARD	IEC/SANS 61869-2

CASING

MATERIAL	MOULDED ABS
TERMINAL COVER	YES
MOUNTING TYPE	CHASSIS
INNER DIAMETER	63mm ID 60mm BUSBAR



ALTERNATIVES

- BR1 65
- BR1 BUSBAR

