

Analogue Meters CQ3207

CQ - Moving-Coil Panel Ammeter CQ3207

- For measurement of phase current in three phase system
- Easy selecting of desired current with a selector switch
- Good read-out survey on larger distance
- Resistance to mechanical vibrations
- Protective cover for terminals

PROPERTIES

- For measurement of phase current in three phase system
- Easy selecting of desired current with a selector switch
- Good read-out survey on larger distance
- Resistance to mechanical vibrations
- Protective cover for terminals (optional)

APPLICATION

Instruments with moving-coil and rectifier are designed for mounting into supervision panels and A.C. current measuring equipment, where small internal consumption of the instrument is required. They are provided for measurement of A.C. currents of sinuous curve within a 40 ... 65 Hz frequency range.

CONSTRUCTION

Moving-coil instruments measure mean value of rectified current. The scale is expressed in effective values at sine form of the measure quantity. Distortion or deviation from the sine form for more than 1% entails additional errors. Ammeters are provided with a built-on transformer for measurement with measuring transformers .../1 A and .../5 A.

Instrument is available in one size: CQ3207 with front frame dimensions 96 x 96 mm.

MEASURING RANGE:

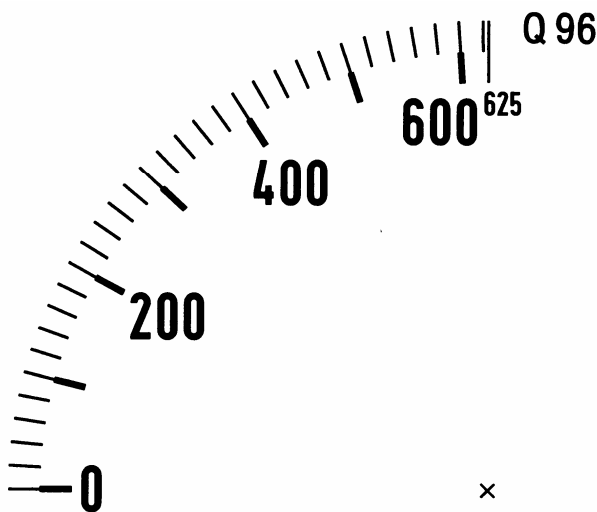
AMMETERS:

Measuring range (A)

1 5

Instruments for connection to instrument transformers have the following ratings: 1-1.2-1.5-2-2.5-3-4-5-6-7.5 (8) and decade multiples.

SCALE



Picture 1: Drawing of scale: Normal version

TECHNICAL DATA

ACCURACY:

Accuracy class	1.5
	(standard)
Accuracy – on request	1.0 ²⁾
	(optional)

DESIGN:

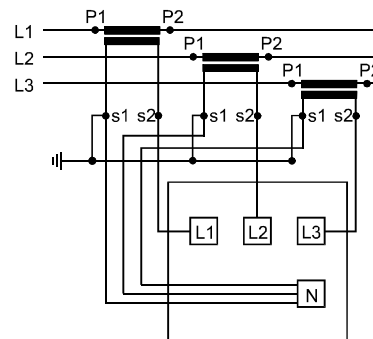
Material of housing:	PC
	uninflammable, according to UL 94 V-0
Enclosure protection:	Case IP 52, terminal contacts IP 00
	(IP 20 for connection terminals)
	according to EN 60529
Operating position	Vertical
Installation category (Vrms)	CAT II 600 V/ III 300 V
Voltage drop approx.:	for x/5 A 0.03 V
	for x/1 A 1.1 V

AMBIENT CONDITIONS

JVF (DIN 40 040)

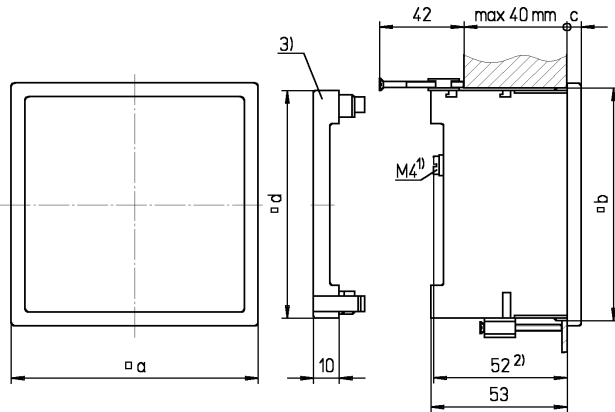
Climatic conditions:	Standards EN 60051-1
	EN 60051-2
	EN 60051-9
Temperature:	
Reference range of operation	+18 ... +28°C
Nominal range of operation	-25 ... +55°C
Storing	-40 ... +70°C
Humidity	up to 80% (without condensing)

CONNECTION DIAGRAM:



Picture 2: Connection diagram for CQ3207

DIMENSIONAL DRAWING



Picture 3: Dimensional drawing CQ3207 (all dimensions are in mm)

3) Protective cover (on special request)

Type		CQ3207
Bezel (mm)	□ a	96
Panel cut-out (mm)	□ b	92 ^{+0.8}
Bezel height (mm)	c	5.5
Protect cover (mm)	□ d	90
Scales length (mm)		95
Weight approx. (kg)		0.32

Table 1: Dimensions and weight

DATA FOR ORDERING

- Instrument type,
- Measuring range and scale,
- Transmission ratio of instrument transformer.

ORDERING EXAMPLE FOR STANDARD VERSION:

- Ammeter CQ3207, 200/5A