



BC1

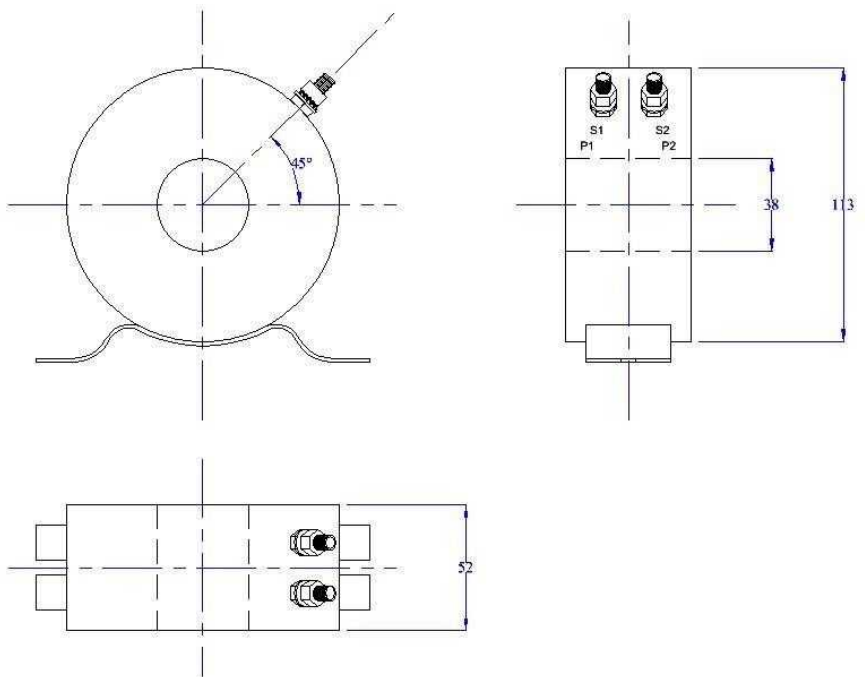
GENERAL

CT TYPE	RING TYPE
INPUT CURRENT	50A – 400A
OUTPUT CURRENT	1A or 5A
SYSTEM VOLTAGE	660V AC
FREQUENCY	50Hz
STANDARD	IEC/SANS 61869-2
BUILD TYPE	Heavy Duty Resin Cast
FS RATING	As per customer specifications
VA, BURDEN	1VA – 30VA
CLASS, ACCURACY	0.5s, 0.2, 0.5, 1, 3.

Please note: The units are made up of varying quantities of material based on customer requirements and therefore prices will only be available upon request.

CASING

MATERIAL	MOULDED ABS, RESIN CAST
TERMINAL COVER	NO
MOUNTING TYPE	REMOVABLE CHASSIS FOOT
INNER DIAMETER	38mm





BC2

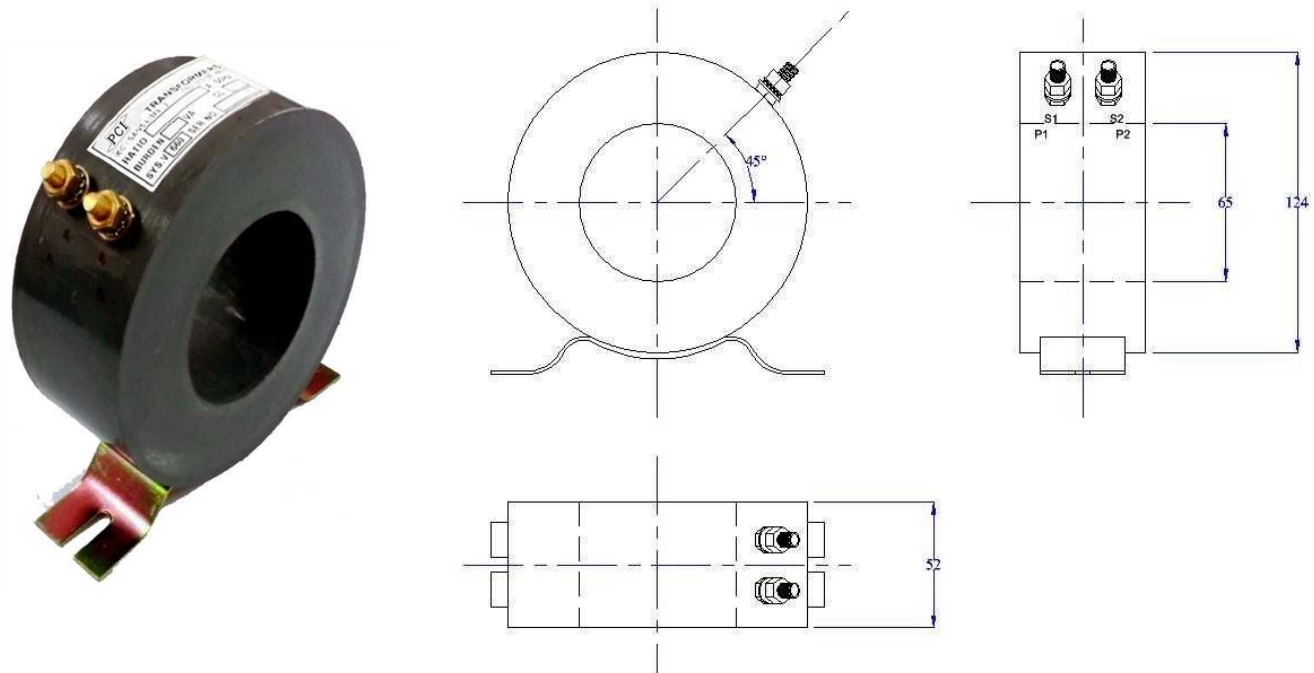
GENERAL

CT TYPE	RING TYPE
INPUT CURRENT	200A – 2000A
OUTPUT CURRENT	1A or 5A
SYSTEM VOLTAGE	660V AC
FREQUENCY	50Hz
STANDARD	IEC/SANS 61869-2
BUILD TYPE	Heavy Duty Resin Cast
FS RATING	As per customer specifications
VA, BURDEN	1VA – 30VA
CLASS, ACCURACY	0.5s, 0.2, 0.5, 1, 3.

Please note: The units are made up of varying quantities of material based on customer requirements and therefore prices will only be available upon request.

CASING

MATERIAL	MOULDED ABS, RESIN CAST
TERMINAL COVER	NO
MOUNTING TYPE	REMOVABLE CHASSIS FOOT
INNER DIAMETER	65mm





BC3

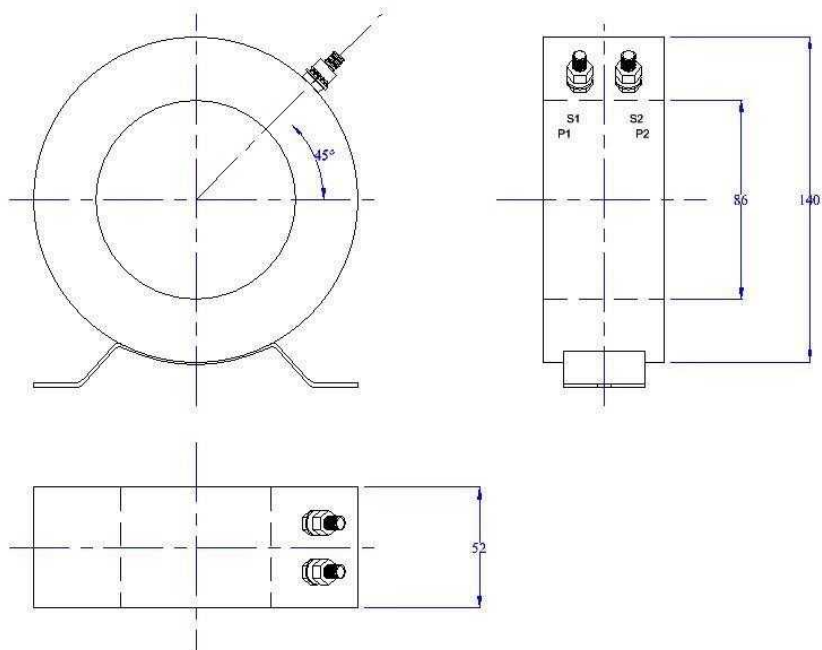
GENERAL

CT TYPE	RING TYPE
INPUT CURRENT	400A – 2500A
OUTPUT CURRENT	1A or 5A
SYSTEM VOLTAGE	660V AC
FREQUENCY	50Hz
STANDARD	IEC/SANS 61869-2
BUILD TYPE	Heavy Duty Resin Cast
FS RATING	As per customer specifications
VA, BURDEN	1VA – 30VA
CLASS, ACCURACY	0.5s, 0.2, 0.5, 1, 3.

Please note: The units are made up of varying quantities of material based on customer requirements and therefore prices will only be available upon request.

CASING

MATERIAL	MOULDED ABS, RESIN CAST
TERMINAL COVER	NO
MOUNTING TYPE	REMOVABLE CHASSIS FOOT
INNER DIAMETER	86mm





BC4

GENERAL

CT TYPE	RING TYPE
INPUT CURRENT	400A – 4000A
OUTPUT CURRENT	1A or 5A
SYSTEM VOLTAGE	660V AC
FREQUENCY	50Hz
STANDARD	IEC/SANS 61869-2
BUILD TYPE	Heavy Duty Resin Cast
FS RATING	As per customer specifications
VA, BURDEN	1VA – 30VA
CLASS, ACCURACY	0.5s, 0.2, 0.5, 1, 3.

Please note: The units are made up of varying quantities of material based on customer requirements and therefore prices will only be available upon request.

CASING

MATERIAL	MOULDED ABS, RESIN CAST
TERMINAL COVER	NO
MOUNTING TYPE	REMOVABLE CHASSIS FOOT
INNER DIAMETER	110mm

